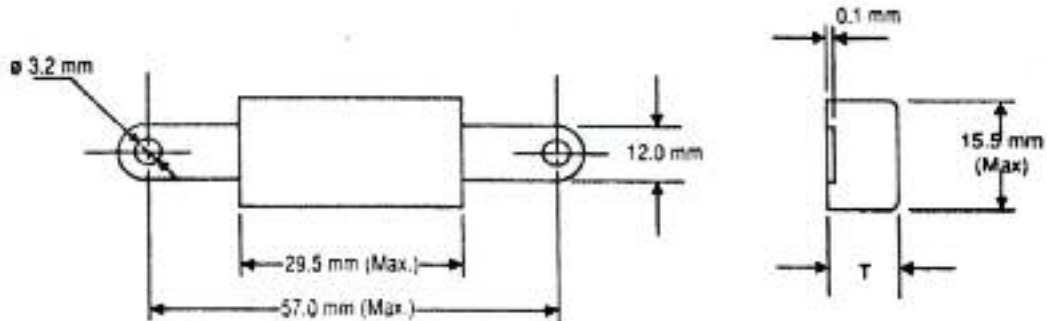
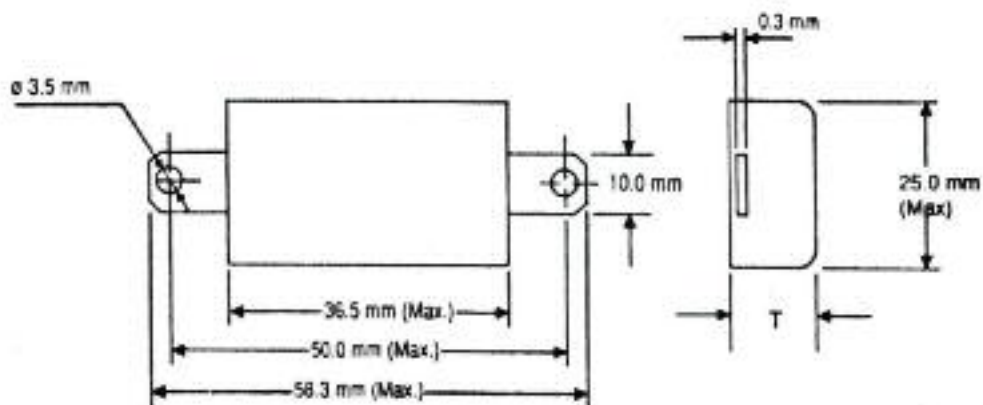


# A.C.L. Mica Capacitors

## Moulded Axials Specials



STYLE : CM - 47			
Capacitance Range in pF per Voltage			T (mm) max
300V	500V	1000V	
2700 – 18000	2700 – 12000	1500 – 8200	5.3
18100 – 27000	12100 – 18000	8210 – 12000	6.3
27100 – 43000	18100 – 30000	12100 – 20000	7.3
43100 – 62000	30100 – 50000	20100 – 27000	9.3



STYLE : CM - 52					
Capacitance Range in pF per Voltage					T (mm) max
500V	1000V	1500V	2000V	3000V	
1200 – 27000	860 – 18000	560 – 7500	330 – 2700	100 – 820	7.5
27100 – 91000	18100 – 56000	7510 – 22000	2710 – 9100	821 – 2700	9.5
91100 – 120000	56100 – 82000	22100 – 36000	9110 – 16000	2710 – 4300	11.5
120100 – 180000	82100 – 100000	36100 – 47000	16100 – 22000	4310 – 6200	13.5
180100 – 220000	100100 – 130000	47100 – 62000			15.5